



**U.S. Tsubaki Power Transmission, LLC**

301 E. Marquardt Dr.

Wheeling, IL 60090

**Phone:** 847.459.9500 or 800.323.7790

**Fax:** 847.459.9515

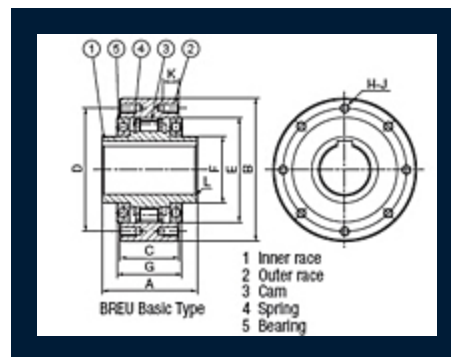
**Email:** [sales@ustsubaki.com](mailto:sales@ustsubaki.com)

**Website:** [www.ustsubaki.com](http://www.ustsubaki.com)

## ITEM # BREU50, BREU-50 MM BORE CAM CLUTCH

The BREU Series Cam Clutch is commonly used in backstopping applications that require higher speed inner race overrunning, and low to medium speed engagement speed capability. The BREU Series Cam Clutch is popular amongst both OEM's and end users, utilizing a broad array of mounting accessories and the ability to select keyway positions on the inner and outer race to offer mounting flexibility. BREU Series incorporates a "lift off" style cam which provides increased Cam Clutch life, please see

[more](#)



### Specifications

<b>Bore Size</b>	1.969 in 50.00 mm
<b>Torque Capacity</b>	1264.9 lb·ft 1715.0 N·m
<b>Min. Inner Race Overrunning</b>	610 rpm
<b>Max. Inner Race Overrunning</b>	3600 rpm

<b>Max. Engagement</b>	240 rpm
<b>Inner Race Keyway</b>	14 x 3.8 mm
<b>A (Overall Width)</b>	3.701 in 94.00 mm
<b>B (Overall Height)</b>	5.906 in 150.00 mm
<b>C (Outer Race Width)</b>	2.520 in 64.00 mm
<b>D (Bolt Circle Diameter)</b>	5.197 in 132.00 mm
<b>E (Outer Race I.D.)</b>	4.331 in 110.00 mm
<b>F (Inner Race O.D.)</b>	2.756 in 70.00 mm
<b>G (Cam Cage Width)</b>	2.835 in 72.00 mm
<b>H-J (Bolt Circle Tap and Qt.)</b>	M8
<b>K (Thread Depth)</b>	0.551 in 14.00 mm
<b>L (Chamfer)</b>	0.051 in 1.30 mm
<b>Weight</b>	16.720 lb 7.600 kg