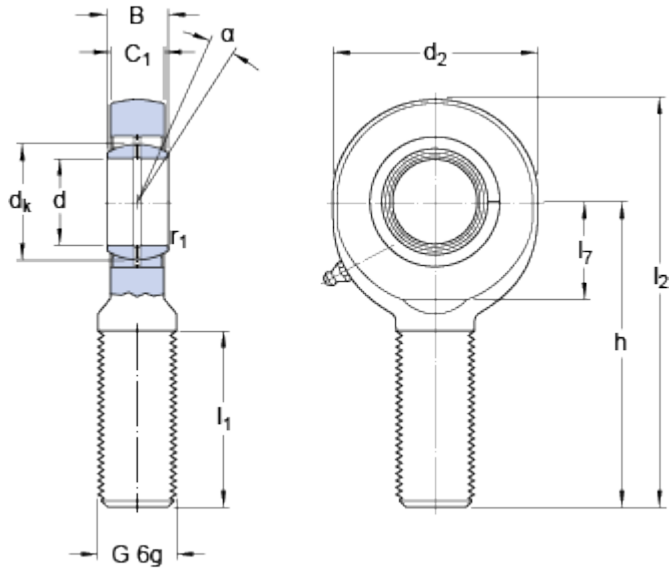


# SAL 25 ES

## Dimensions



d	25	mm
d <sub>2</sub>	max. 65	mm
B	20	mm
G	M 24x2	
C <sub>1</sub>	max. 18	mm
h	94	mm
α	7	°
d <sub>k</sub>	35.5	mm
l <sub>1</sub>	min. 53	mm
l <sub>2</sub>	max. 128	mm
l <sub>7</sub>	min. 30	mm
r <sub>1</sub>	min. 0.6	mm

## Calculation data

Basic dynamic load rating	C	48	kN
Basic static load rating	C <sub>0</sub>	78	kN
Specific dynamic load factor	K	100	N/mm <sup>2</sup>
Material constant	K <sub>M</sub>	330	

## Mass

Mass rod end	0.53	kg
--------------	------	----