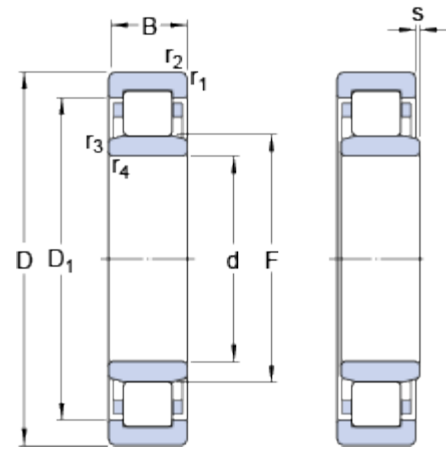




NU 207 ECJ

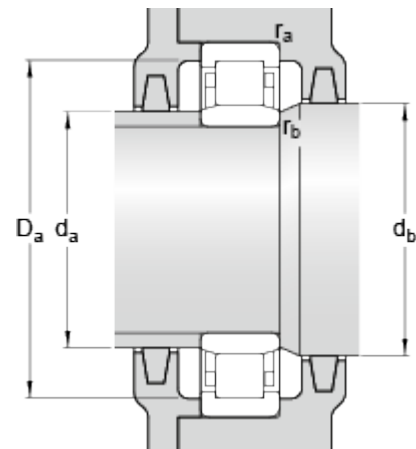
SKF Explorer

Dimensions



d	35	mm
D	72	mm
B	17	mm
D ₁	≈ 60.2	mm
F	44	mm
r _{1,2}	min. 1.1	mm
r _{3,4}	min. 0.6	mm
s	max. 1.3	mm

Abutment dimensions



d _a	min. 39.8	mm
d _a	max. 42.2	mm
d _b	min. 46	mm
D _a	max. 65.1	mm
r _a	max. 1	mm
r _b	max. 0.6	mm

Calculation data

Basic dynamic load rating	C	56	kN
Basic static load rating	C ₀	48	kN
Fatigue load limit	P _u	6.1	kN
Reference speed		11000	r/min
Limiting speed		12000	r/min
Calculation factor	k _r	0.15	
Limiting value	e	0.2	
Axial load factor	Y	0.6	

Mass

Mass bearing		0.3	kg
--------------	--	-----	----

Associated products

