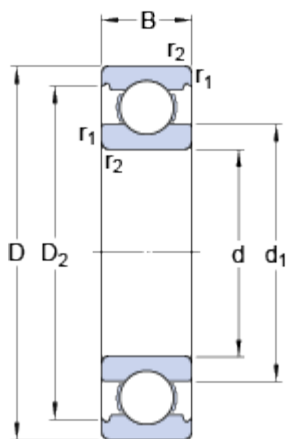


6305

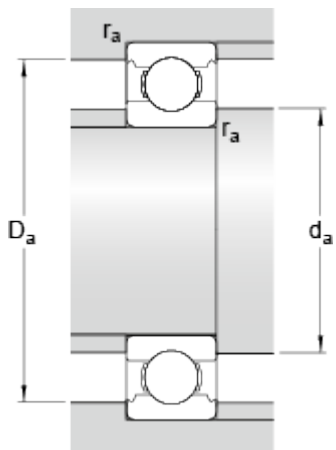
SKF Explorer

Dimensions



d	25	mm
D	62	mm
B	17	mm
d ₁	≈ 36.6	mm
D ₂	≈ 52.7	mm
r _{1,2}	min. 1.1	mm

Abutment dimensions



d _a	min. 32	mm
D _a	max. 55	mm
r _a	max. 1	mm

Calculation data

Basic dynamic load rating	C	23.4	kN
Basic static load rating	C ₀	11.6	kN
Fatigue load limit	P _u	0.49	kN
Reference speed		24000	r/min
Limiting speed		16000	r/min
Calculation factor	k _r	0.03	
Calculation factor	f ₀	12	

Mass

Mass bearing	0.23	kg
--------------	------	----