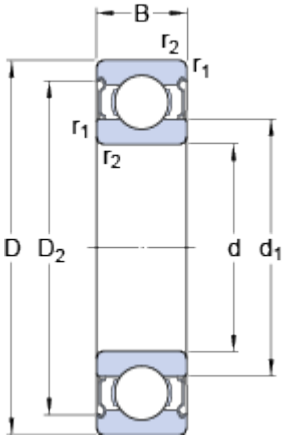


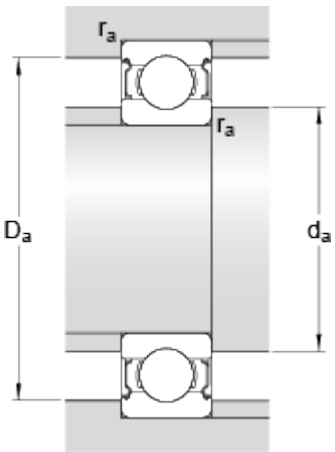
628/5-2Z

Dimensions



| | | |
|-----------|-----------|----|
| d | 5 | mm |
| D | 11 | mm |
| B | 4 | mm |
| d_1 | ≈ 6.81 | mm |
| D_2 | ≈ 9.9 | mm |
| $r_{1,2}$ | min. 0.15 | mm |

Abutment dimensions



| | | |
|-------|-----------|----|
| d_a | min. 5.8 | mm |
| d_a | max. 6.7 | mm |
| D_a | max. 10.2 | mm |
| r_a | max. 0.1 | mm |

Calculation data

| | | | |
|---------------------------|-------|--------|-------|
| Basic dynamic load rating | C | 0.468 | kN |
| Basic static load rating | C_0 | 0.143 | kN |
| Fatigue load limit | P_u | 0.006 | kN |
| Reference speed | | 120000 | r/min |
| Limiting speed | | 60000 | r/min |
| Calculation factor | k_r | 0.015 | |
| Calculation factor | f_0 | 11 | |

Mass

| | | |
|--------------|--------|----|
| Mass bearing | 0.0031 | kg |
|--------------|--------|----|