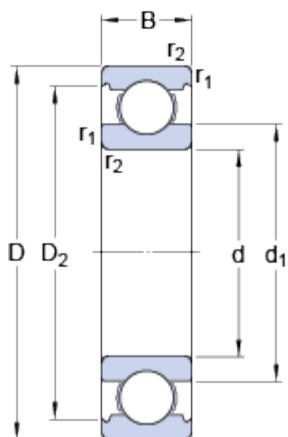


# 6208

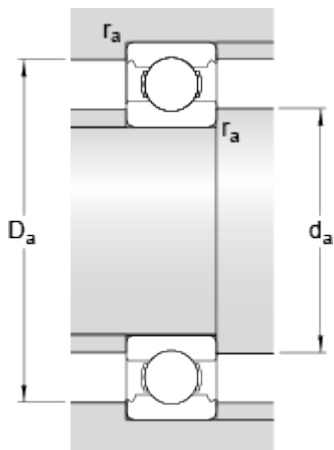
SKF Explorer

## Dimensions



d	40	mm
D	80	mm
B	18	mm
d <sub>1</sub>	≈ 52.6	mm
D <sub>2</sub>	≈ 69.8	mm
r <sub>1,2</sub>	min. 1.1	mm

## Abutment dimensions



d <sub>a</sub>	min. 47	mm
D <sub>a</sub>	max. 73	mm
r <sub>a</sub>	max. 1	mm

## Calculation data

Basic dynamic load rating	C	32.5	kN
Basic static load rating	C <sub>0</sub>	19	kN
Fatigue load limit	P <sub>u</sub>	0.8	kN
Reference speed		18000	r/min
Limiting speed		11000	r/min
Calculation factor	k <sub>r</sub>	0.025	
Calculation factor	f <sub>0</sub>	13.8	

## Mass

Mass bearing	0.36	kg
--------------	------	----