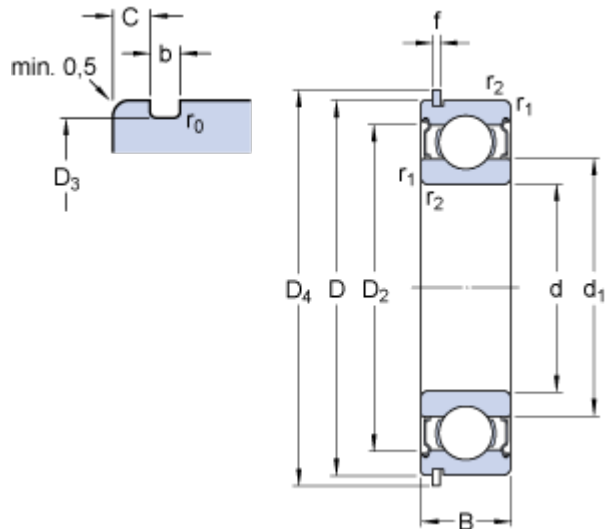


# 6205-2ZNR

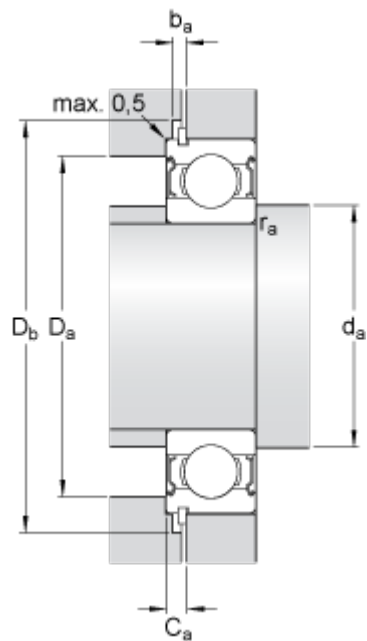
SKF Explorer

## Dimensions



d	25	mm
D	52	mm
B	15	mm
d <sub>1</sub>	≈ 34.35	mm
D <sub>2</sub>	≈ 46.21	mm
D <sub>3</sub>	49.73	mm
D <sub>4</sub>	57.9	mm
b	1.35	mm
C	2.46	mm
f	1.12	mm
r <sub>0</sub>	max. 0.4	mm

## Abutment dimensions



d <sub>a</sub>	min. 30.6	mm
d <sub>a</sub>	max. 34.3	mm
D <sub>a</sub>	max. 46.4	mm
D <sub>b</sub>	min. 59	mm
b <sub>a</sub>	min. 1.5	mm
C <sub>a</sub>	max. 3.58	mm
r <sub>a</sub>	max. 1	mm

## Calculation data

Basic dynamic load rating	C	14.8	kN
Basic static load rating	C <sub>0</sub>	7.8	kN
Fatigue load limit	P <sub>u</sub>	0.335	kN
Reference speed		28000	r/min
Limiting speed		14000	r/min
Calculation factor	k <sub>r</sub>	0.025	
Calculation factor	f <sub>0</sub>	14	

**Mass**

---

Mass bearing

0.13

kg

**Included products**

---

Snap ring

SP 52

---