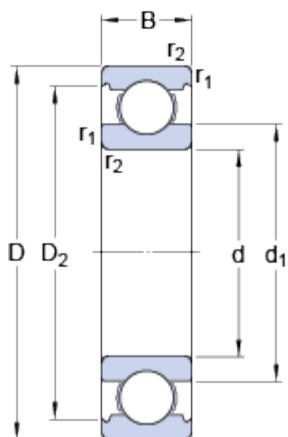


6200

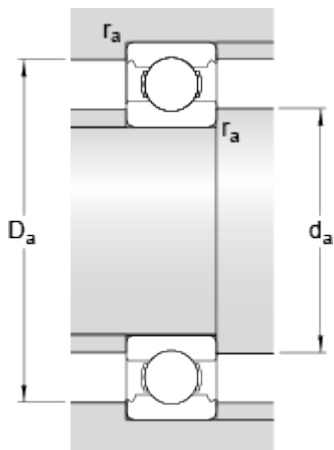
SKF Explorer

Dimensions



d	10	mm
D	30	mm
B	9	mm
d_1	≈ 17	mm
D_2	≈ 24.72	mm
$r_{1,2}$	min. 0.6	mm

Abutment dimensions



d_a	min. 14.2	mm
D_a	max. 25.8	mm
r_a	max. 0.6	mm

Calculation data

Basic dynamic load rating	C	5.4	kN
Basic static load rating	C_0	2.36	kN
Fatigue load limit	P_u	0.1	kN
Reference speed		56000	r/min
Limiting speed		36000	r/min
Calculation factor	k_r	0.025	
Calculation factor	f_0	13	

Mass

Mass bearing	0.031	kg
--------------	-------	----