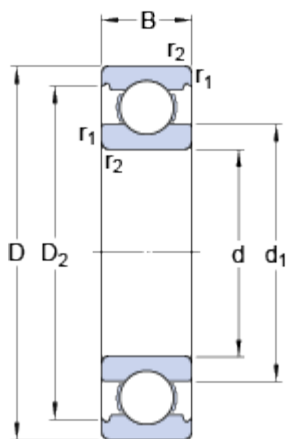


6007

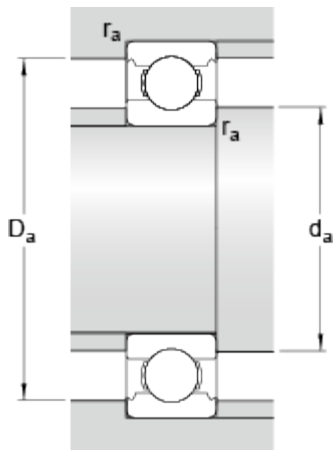
SKF Explorer

Dimensions



d	35	mm
D	62	mm
B	14	mm
d_1	≈ 43.75	mm
D_2	≈ 55.61	mm

Abutment dimensions



d_a	min.	39.6	mm
D_a	max.	57.4	mm
r_a	max.	1	mm

Calculation data

Basic dynamic load rating	C	16.8	kN
Basic static load rating	C_0	10.2	kN
Fatigue load limit	P_u	0.44	kN
Reference speed		24000	r/min
Limiting speed		15000	r/min
Calculation factor	k_r	0.025	
Calculation factor	f_0	15	

Mass

Mass bearing	0.15	kg
--------------	------	----