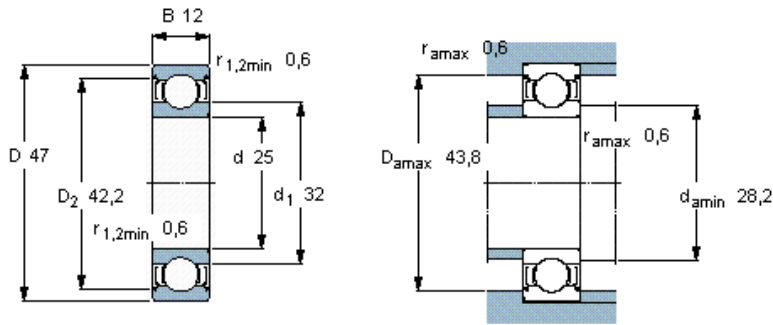


Deep groove ball bearings, single row

Principal dimensions			Basic load ratings		Speed ratings	Limiting speed	Designation
d	D	B	dynamic C	static C0	Reference speed		* SKF Explorer bearing
mm			kN		r/min		-
25	47	12	11,9	6,55	32000	16000	6005-2Z *



Calculation factors

k_r 0,025
 f_0 14