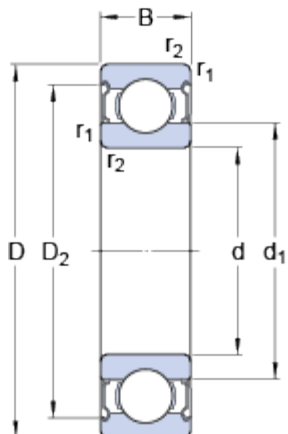


6004-2Z

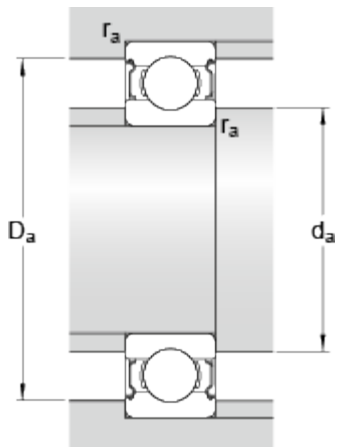
SKF Explorer

Dimensions



d	20	mm
D	42	mm
B	12	mm
d ₁	≈ 27.2	mm
D ₂	≈ 37.19	mm

Abutment dimensions



d _a	min.	23.2	mm
d _a	max.	27.1	mm
D _a	max.	38.8	mm
r _a	max.	0.6	mm

Calculation data

Basic dynamic load rating	C	9.95	kN
Basic static load rating	C ₀	5	kN
Fatigue load limit	P _u	0.212	kN
Reference speed		38000	r/min
Limiting speed		19000	r/min
Calculation factor	k _r	0.025	
Calculation factor	f ₀	14	

Mass

Mass bearing	0.071	kg
--------------	-------	----