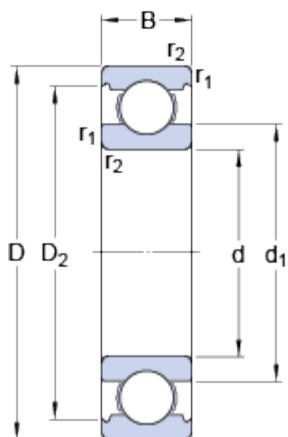


# 6001

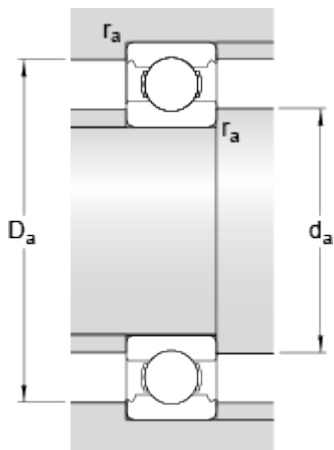
SKF Explorer

## Dimensions



d	12	mm
D	28	mm
B	8	mm
d <sub>1</sub>	≈ 17	mm
D <sub>2</sub>	≈ 24.72	mm
r <sub>1,2</sub>	min. 0.3	mm

## Abutment dimensions



d <sub>a</sub>	min. 14	mm
D <sub>a</sub>	max. 26	mm
r <sub>a</sub>	max. 0.3	mm

## Calculation data

Basic dynamic load rating	C	5.4	kN
Basic static load rating	C <sub>0</sub>	2.36	kN
Fatigue load limit	P <sub>u</sub>	0.1	kN
Reference speed		60000	r/min
Limiting speed		38000	r/min
Calculation factor	k <sub>r</sub>	0.025	
Calculation factor	f <sub>0</sub>	13	

## Mass

Mass bearing	0.021	kg
--------------	-------	----