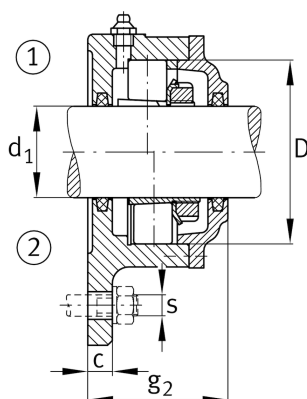
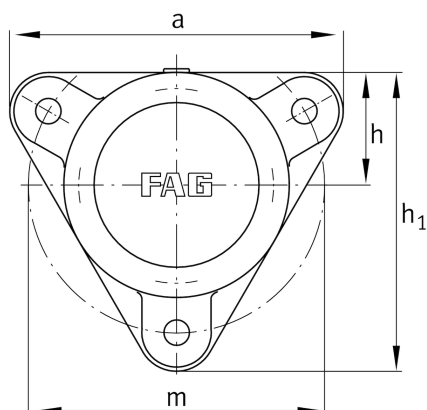


**FAG****F511-B-L**

Flanged housing

Schaeffler ID:
0384387390000Flanged housing for various bearing types,
with conical bore and clamping sleeve,
continuous shaft

Technical information

**Main Dimensions & Performance Data**

d_1	50,00 mm	Shaft diameter
a	190,00 mm	Flange width
h_1	170,00 mm	height flange
g_2	76,00 mm	total width with cover
	3,00	number of fastening holes
	4,20 kg	Weight

Dimensions

	M10x1	connection thread lubrication
c	16,00 mm	thickness of flange
D	100,00 mm	outside diameter bearing
g_4	23,00 mm	distance flange to bearing seat
h	65,00 mm	distance shaft axis
m	170,00 mm	pitch circle diameter fixing holes
s	M12	size of fixing screws