

Lobe knobs



Material

Glass-fibre reinforced polyamide based (PA) technopolymer. Resistant to solvents, oils, greases and other chemical agents.

Colour

Black, matte finish.

VC.692-CLEAN: white similar to RAL 9002, matte finish.

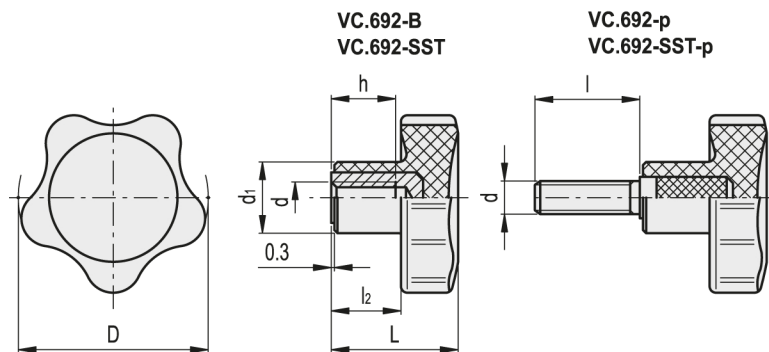
VC.692-CR: chrome-plated, glossy finish.

Standard executions

- **VC.692-B**: brass boss, threaded blind hole.
- **VC.692-SST**: AISI 303 stainless steel boss, threaded blind hole.
- **VC.692-p**: zinc-plated steel threaded stud, chamfered flat end according to UNI 947 : ISO 4753 (see Technical data).
- **VC.692-SST-p**: AISI 303 stainless steel threaded stud, chamfered flat end according to UNI 947 : ISO 4753 (see Technical data).
- **VC.692-CLEAN**: AISI 303 stainless steel boss, threaded blind hole.
- **VC.692-CR**: Brass boss, threaded blind hole.



Conversion Table	
1 mm = 0.039 inch	
D	
mm	inch
25	0.98
32	1.26
40	1.57
50	1.97
60	2.36



VC.692-B

Description	D	d _{6H}	L	d ₁	l ₂	h	⚖
VC.692/25 B-M4	25	M4	20	12	10	10	7
VC.692/25 B-M5	25	M5	20	12	10	10	7
VC.692/25 B-M6	25	M6	20	12	10	10	7
VC.692/32 B-M5	32	M5	22.5	14	12.5	10	15
VC.692/32 B-M6	32	M6	22.5	14	12.5	10	14
VC.692/32 B-M8	32	M8	22.5	14	12.5	10	13
VC.692/40 B-M6	40	M6	26	15	14	12	25
VC.692/40 B-M8	40	M8	26	15	14	13	23
VC.692/50 B-M8	50	M8	31	18	17	15	44
VC.692/50 B-M10	50	M10	31	18	17	17	40
VC.692/60 B-M10	60	M10	36.5	21	21	20	63
VC.692/60 B-M12	60	M12	36.5	21	21	20	54