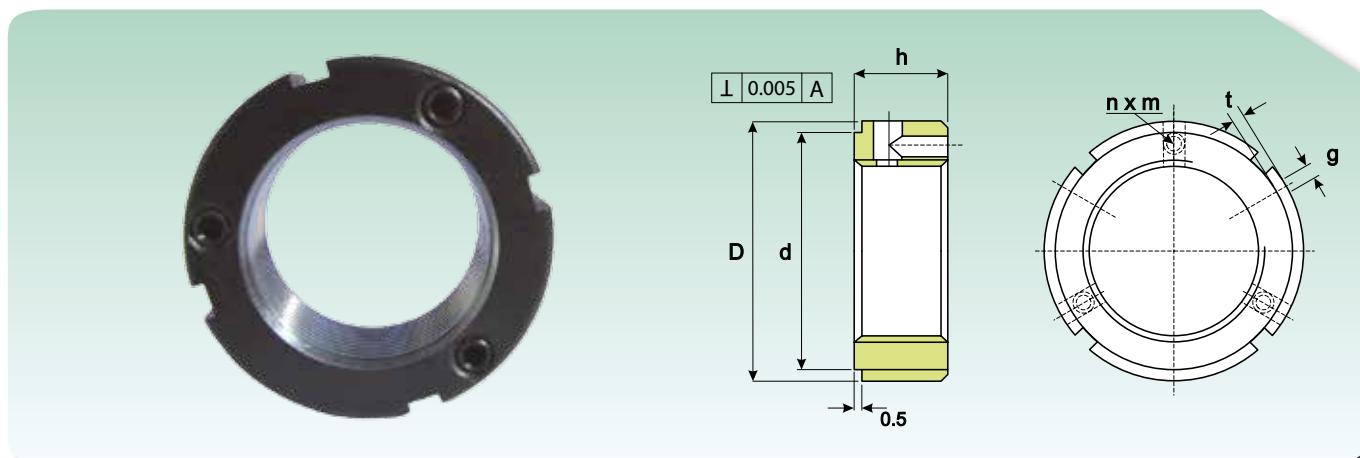


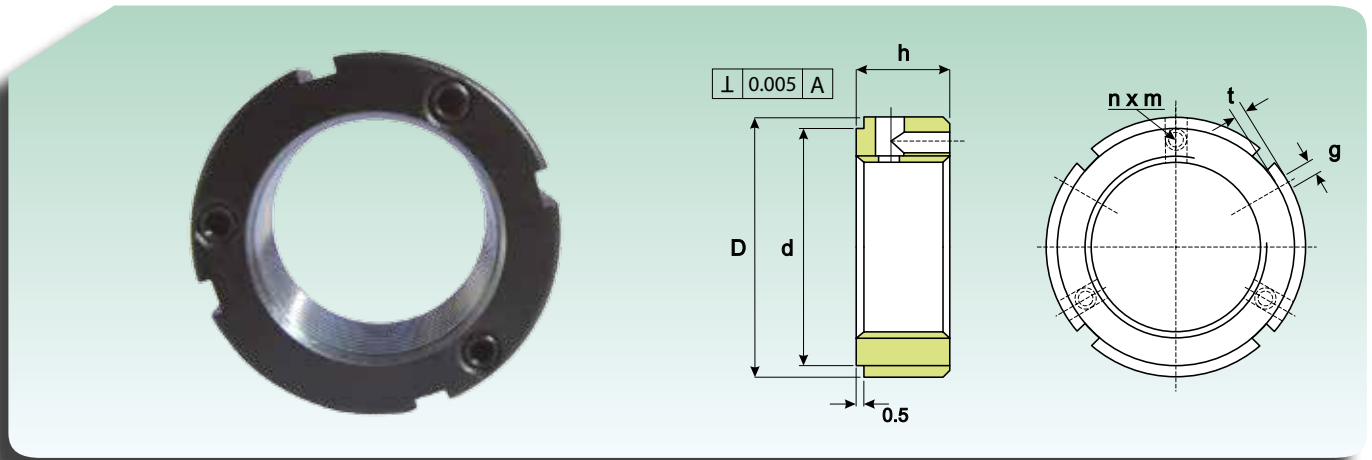
GHIERA YSA BLOCCAGGIO ASSIALE LOCK NUT YSA AXIAL LOCKING



Dimensioni						Coppia massima (Nm) Max Torque (Nm)	Peso (Kg) Weight (Kg)	Sigla Designation
D (mm)	h (mm)	g (mm)	t (mm)	d (mm)	n X m			
32	16	4	2	27	2XM4	3.5	0.07	YSA M 17X1
38	16	4	2	33	3XM4	4.5	0.1	YSAM 20X1
	16	4	2	33	3XM4	4.5	0.1	YSA M 20X1.5
	18	5	2	33	3XM4	4.5	0.09*	YSA M 25X1.5
45	18	5	2	40	3 XM4	4.5	0.13	YSA M 30X1.5
52	18	5	2	47	3XM6	8	0.17	YSA M 35X1.5
58	20	6	2.5	52	3XM6	8	0.22	YSA M 40X1.5
65	20	6	2.5	59	3XM6	8	0.27	YSA M 45X1.5
70	20	6	2.5	64	3XM6	8	0.31	YSA M 50X1.5
75	22	7	3	68	3XM6	8	0.36	YSA M 55X2
80	22	7	3	73	3XM6	8	0.39	YSA M 60X2
85	22	7	3	78	3 XM6	8	0.43	YSAM 65X2
92	24	8	3.5	84	3 XM8	18	0.55	YSA M 70X2
98	24	8	3.5	90	3 XM8	18	0.62	YSAM 75X2
105	24	8	3.5	96	3XM8	18	0.71	YSA M 80X2
110	24	8	3.5	102	3XM 8	18	0.74	YSA M 85X2
120	26	10	4	108	3XM8	18	1.02	YSAM 90X2
125	26	10	4	113	3XM8	18	1.08	YSA M 95X2
130	26	10	4	118	3 XM8	18	1.1	YSA M 100X2
140	28	12	5	125	3XM 10	35	1.48	YSA M 105X2
145	28	12	5	132	3 XM 10	35	1.57	YSA M 110X2
150	28	12	5	137	3XM 10	35	1.6	YSA M 115X2
155	30	12	5	142	3XM 10	35	1.76	YSA M 120X2
160	30	12	5	147	3 XM 10	35	1.82	YSA M 125X2
165	30	12	5	152	3 XM 10	35	1.89	YSA M 130X2
175	32	14	6	160	3XM 12	35	2.46	YSA M 135X2
180	32	14	6	165	3XM 12	35	2.47	YSA M 140X2
190	32	14	6	175	3XM 12	35	2.96	YSA M 145X2
195	32	14	6	180	3 XM 12	35	3.02	YSA M 150X2
200	34	16	7	180	3 XM 12	35	3.32	YSA M 155X3
	34	16	7	190	3XM 12	35	3.88	YSA M 160X3
210	34	16	7	190	3XM 12	35	3.96	YSA M 165X3
	34	16	7	190	3XM 12	35	3.96	YSA M 165X3

* Il peso è corretto
* The weight is correct

GHIERA YSA BLOCCAGGIO ASSIALE LOCK NUT YSA AXIAL LOCKING



Dimensioni Dimensioni						Coppia massima (Nm) Max Torque (Nm)	Peso (Kg) Weight (Kg)	Sigla Designation
D (mm)	h (mm)	g (mm)	t (mm)	d (mm)	n X m			
220	34	16	7	200	3XM 12	35	4.04	YSA M 170X3
230	36	18	8	205	3XM 12	60	4.4	YSA M 180X3
240	36	18	8	215	3XM 12	60	4.77	YSA M 190X3
250	38	18	8	225	3XM 12	60	5.26	YSAM 200X3